

# MOONDANCE SYMPHONY SERIES

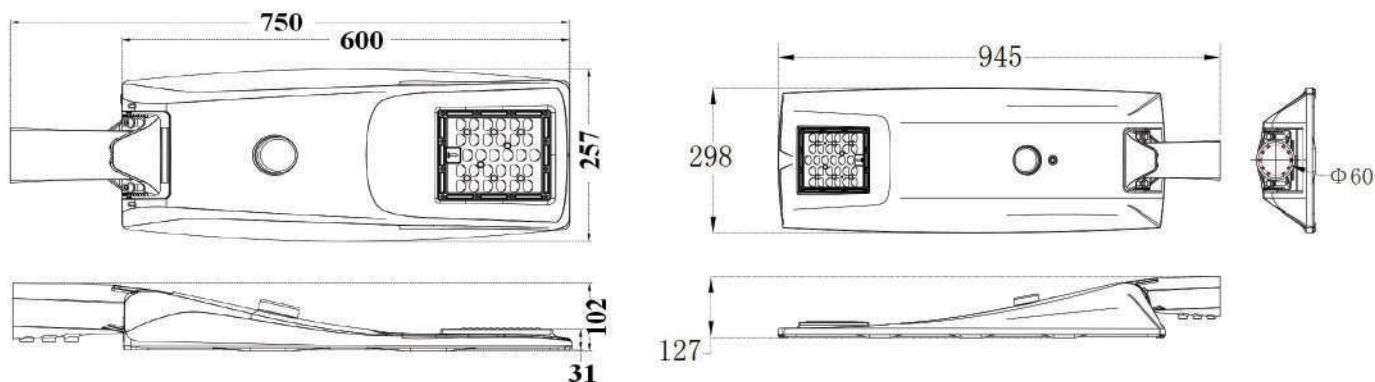
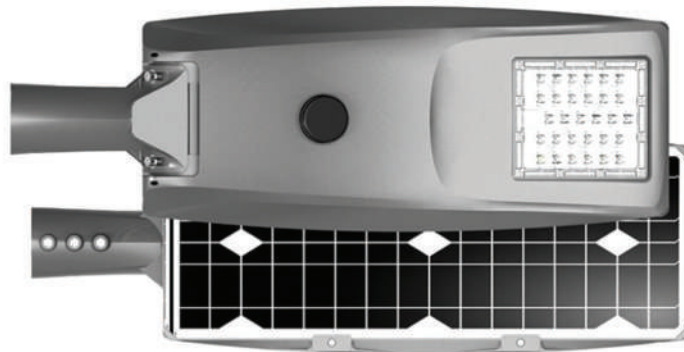
## SOLAR LED STREET LANTERN



### Products Features:

- The integration of design, no cable, the installation is very convenient.
- Fully-digital and high-precision constant current control boasting an efficiency of up to 96%.
- The Mono-crystalline solar panel, LED lights, LiFePO4 battery, intelligent controller integrated Aluminum Alloy shell.
- True constant current rather than current-limiting control ensures smooth and stable output current, effectively reducing LED light attenuation and extending LED service life.
- When the products with optically controlled microwave induction infrared sensor, automatic adjustment of intelligent power on rainy days, extend rainy days.
- It used of alloy material as the main structure, with good rust prevention, corrosion protection. A metal case and an IP66 waterproof level enable the device to operate in various kinds of tough conditions.
- The wireless remote control setting device, adjustment lighting time, lighting power, automatic detection of battery voltage, read light power parameters, a human body induction function, as long as people go through when full power lighting, no automatic power down all, restore energy saving mode.
- Time control + light sensor control + motion sensor control.
- Motion and light sensor built in: solar tree light goes on at dusk at 50% brightness (Brightness adjustment). Can go from 50% power to full brightness when motion is detected. Three intelligent Modes: Bright / DIM / Recharge. 1, Bright: motion activates for lighting when motion is detected for security light and to save battery; 2, DIM: 50% lighting for saving power when no motion; 3, Off/ Recharge: automatically turns off in daylight and goes into recharge mode. (Working mode can be adjusted according to clients's demands).

MODEL	ONIRII MOONDANCE 1st SYMPHONY	ONIRII MOONDANCE 2nd SYMPHONY
Battery	18650 lithium battery 12V 30 Ah	18650 lithium battery 12V 50 Ah
Beam angle	150x70°	150x65°
Pole diameter (mm)	60	60
Light output	20W	45W
Luminous flux (lm)	3200	7200
Color Temperature	Pure white: 5000-6500k	Pure white: 5000-6500k
Solar panel	50W / 18V monocrystalline silicon	80W / 18V monocrystalline silicon
CRI	> =70	> =70
Chip Brand	LUXEON 5050	LUXEON 5050
Operating time	Full power > 12 hours, Intelligent mode 4 days	Full power > 12 hours, Intelligent mode 4 days
Control Mode	Light Control + Sensor	Light Control + Sensor
Material	Die Casting Aluminum	Die Casting Aluminum
Luminous efficiency (lm/w)	160	160
Lifespan (hrs)	50000	50000
IP Rating	IP66	IP66
Installation height (m)	4 ~ 8	4 ~ 8
Size (mm)	750X257X102	945X298X127
Net Weight (kg)	5.9	10
Package Size (mm)	800*295*155	1000*340*180
Package Quantity (Pcs)	1	1
Gross Weight (kg)	7	11.1



Note: Specifications are subject to change without prior notice



**Super Spruce Energy S/B** 201401036393 (1112532-A)

No.1 Block C, Lot 757, Jalan Subang 3, Taman Industrial Sg Penaga, 47610 Subang Jaya, Selangor Darul Ehsan.

Tel: 03- 8081 1326 / 7326 | Fax: 03-8081 5326 | Email: sales@onirii.com.my