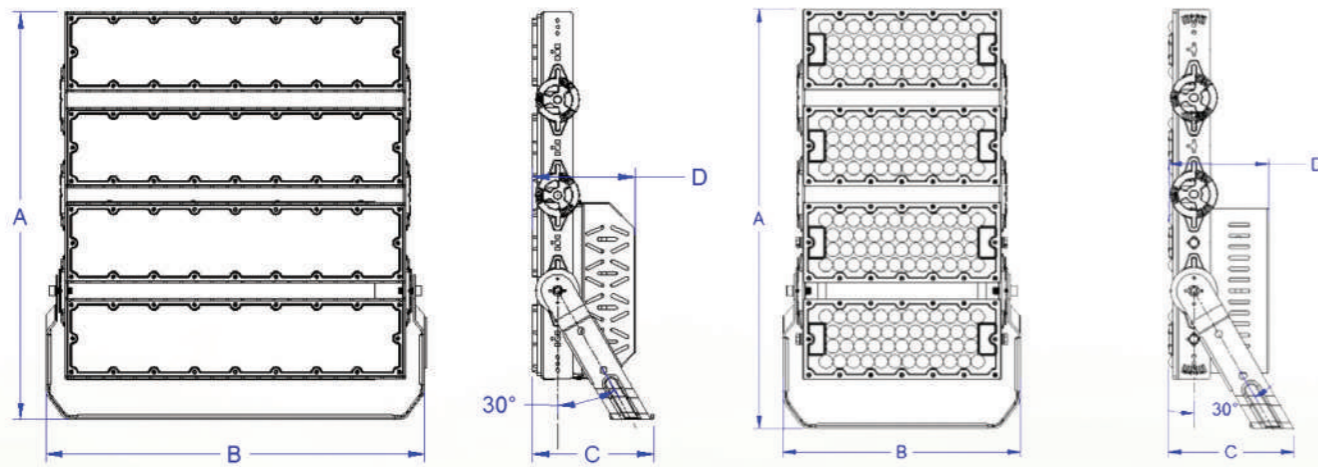


M SERIES LED LIGHT



Note: Specifications are subject to change without prior notice.



Super Spruce Energy S/B (1112532-A)

No.1 Block C, Lot 757, Jalan Subang 3, Taman Industrial Sg Penaga, 47610 Subang Jaya, Selangor Darul Ehsan.

Tel: 03- 8081 1326 / 7326 | Fax: 03-8081 5326 | Email: sales@onirii.com.my

PRODUCTS FEATURES:

- LED Technology had being certified "Environmental Friendly" Product
- Simple design and easy installation
- Higher efficacy 5050 LED chip
- 100% Mercury and Lead Free strengthen the feasibility of use of LED
- 50,000 Hours Life Span
- New Era Modular Design offered Extensive application and Easy Maintenance
- Compatible with all ONIRII M Series products
- Multi Purpose LED Light gives no limit to any indoor/outdoor application such as Stadium, Basketball Court, Gym, Garden, Port, Square Abd Tunnel and so on.
- Scalable LED Modulares to full field various of requirements
- Open Air Type with epoxy powder coating housing allows 100% natural air cooling thus enhanced to the heat dissipation of the LED modules
- Independent Modular design gives NO affects to other modular when it particularly damaged
- Modular design for effortless up-grade to future LED generations
- Provide 5 years warranty for whole fixture
- New Generation Electronics Driver
- Min 20kA external SPD (Surge Protective Device) offered double layered of protection



TECHNICAL DATA:

Model	ONIRII M1	ONIRII M2	ONIRII M3	ONIRII M4
Light Source @ Series	LED @ SMD5050	LED @ SMD5050	LED @ SMD5050	LED @ SMD5050
Power	200W	400W	600W	800W
Luminous Flux (Absolute)	32,550lm	65,100lm	97,650lm	130,200lm
Luminaire Efficacy	>160lm/W	>160lm/W	>160lm/W	>160lm/W
Beam Angle	20° / 40° / 60° / 90° / 100° / 120° / 140°			
Color Temperature (CCT)	5000K	5000K	5000K	5000K
Color Rendering Index (CRI)	75 ± 5	75 ± 5	75 ± 5	75 ± 5
LED Life Span (Hrs)	50,000	50,000	50,000	50,000
Lumen Maintenance @ 50,000 Hrs	70% Lumen Maintenance	70% Lumen Maintenance	70% Lumen Maintenance	70% Lumen Maintenance
Operating Temperature Range	-20 °C ~ +45°C	-20 °C ~ +45°C	-20 °C ~ +45°C	-20 °C ~ +45°C
Driver	External	External	External	External
Mains Voltage	100-305Vac	100-305Vac	100-305Vac	100-305Vac
Classification	Class 1	Class 1	Class 1	Class 1
Power Factor	> 0.90	> 0.90	> 0.90	> 0.90
SPD (Surge Protective Device)	External 10kV, 20kA	External 10kV, 20kA	External 10kV, 20kA	External 10kV, 20kA
Housing Materials	Marine Grade Aluminium + Tempered Glass + PMMA Lens + 316 Stainless Steel			
Dimming Control Output	0-10V/PWM/DALI (Optional)			
NEMA Socket	Support NEMA, Smart Lighting System (Optional)			
Ingress Protection (IP)	IP66	IP66	IP66	IP66
IK Rating	IK08	IK08	IK08	IK08
Luminaires Dimension (H x W x L) (mm)	328mm x 344mm x 181mm	608mm x 344mm x 181mm	748mm x 344mm x 181mm	888mm x 344mm x 181mm
Maintenance	Unscrew Back Lid for LED Modular changing / LED Driver and SPD are expose at back lid for easy maintenance purpose			
Weight (KG) (Nett Weight)	4.7KG	8.5KG	9.2KG	10.2KG
LED Driver	CE 61347-1, EN 61347-2-13, EN55015/GB 17743, EN61000-3-2/GB 17625.1, EN 61000-3-3, EN 61000-4-2,-3,-4,-5,-6,-8,-11, EN 61547			

Model	ONIRII M5	ONIRII M6	ONIRII M7
Light Source @ Series	LED @ SMD5050	LED @ SMD5050	LED @ SMD5050
Power	1000W	1200W	1500W
Luminous Flux (Absolute)	162,750lm	195,300lm	244,125lm
Luminaire Efficacy	>160lm/W	>160lm/W	>160lm/W
Beam Angle	20° / 40° / 60° / 90° / 100° / 120° / 140°		
Color Temperature (CCT)	5000K	5000K	5000K
Color Rendering Index (CRI)	75 ± 5	75 ± 5	75 ± 5
LED Life Span (Hrs)	50,000	50,000	50,000
Lumen Maintenance @ 50,000 Hrs	70% Lumen Maintenance	70% Lumen Maintenance	70% Lumen Maintenance
Operating Temperature Range	-20 °C ~ +45°C	-20 °C ~ +45°C	-20 °C ~ +45°C
Driver	External	External	External
Mains Voltage	100-305Vac	100-305Vac	100-305Vac
Classification	Class 1	Class 1	Class 1
Power Factor	> 0.90	> 0.90	> 0.90
SPD (Surge Protective Device)	External 10kV, 20kA	External 10kV, 20kA	External 10kV, 20kA
Housing Materials	Marine Grade Aluminium + Tempered Glass + PMMA Lens + 316 Stainless Steel		
Dimming Control Output	0-10V/PWM/DALI (Optional)		
NEMA Socket	Support NEMA, Smart Lighting System (Optional)		
Ingress Protection (IP)	IP66	IP66	IP66
IK Rating	IK08	IK08	IK08
Luminaires Dimension (H x W x L) (mm)	632mm x 587mm x 188mm	780mm x 587mm x 188mm	928mm x 587mm x 188mm
Maintenance	Unscrew Back Lid for LED Modular changing / LED Driver and SPD are expose at back lid for easy maintenance purpose		
Weight (KG) (Nett Weight)	16.1KG	18.2KG	21.5KG
LED Driver	CE 61347-1, EN 61347-2-13, EN55015/GB 17743, EN61000-3-2/GB 17625.1, EN 61000-3-3, EN 61000-4-2,-3,-4,-5,-6,-8,-11, EN 61547		