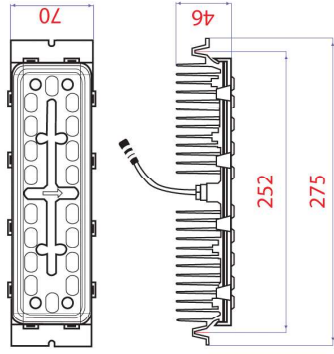
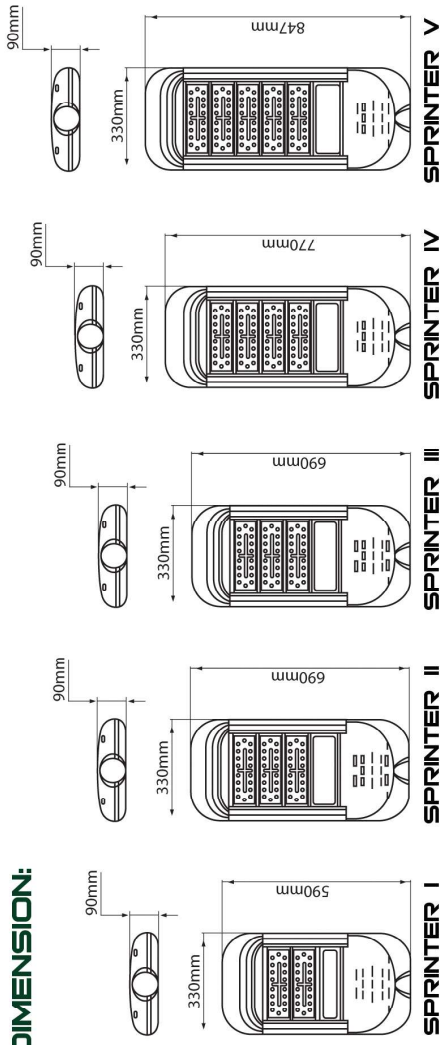
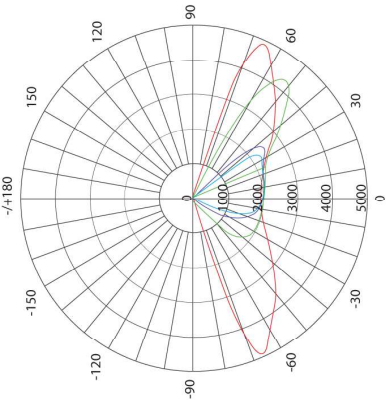


DIMENSION:

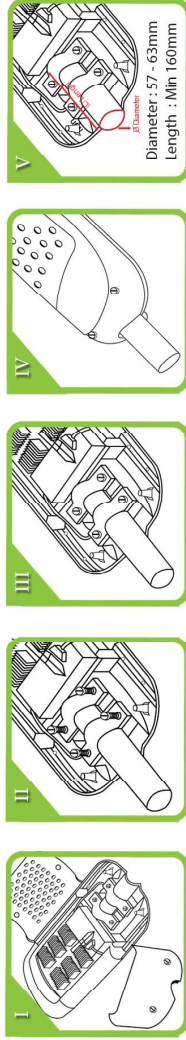


LED MODULE

PHOTOMETRIC:



INSTALLATION MANUAL:



Super Spruce Energy S/B (1112532-A)
 No 2, Block B, Lot 756, Jalan Subang 3,
 Taman Industrial Sg Penaga, 47160 Subang Jaya, Selangor Darul Ehsan
 Tel: 03-80811326 / 7326 Fax: 03-8081 3526 Email: sales@onirii.com.my



SPRiNTER SERIES
LED Street Lantern

